


B30

B30 is suitable for:

Sheets

B1/70x100 cm



B30

B30 – Unbeatable efficiency

The B30 offers economic efficiency with high quality results. And the production quality, productivity and process reliability of the buckle folding machine can be expanded even further with additional or alternative equipment features. The B30 buckle folding machine is not only suitable for processing standard jobs. Its wide range of folding types makes it a particularly good choice for processing demanding and varied job structures. Thanks

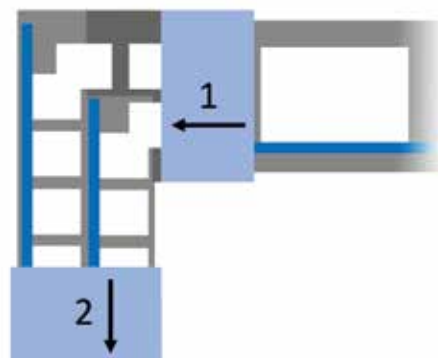
to high-quality, reliable MBO features – for example the belt drive or the optional combination buckle plates – the B30 meets the challenge perfectly, uniting economic efficiency and quality in one machine. A further advantage: The B30 is designed to ensure simple and reliable operation. It offers an economical solution for large print runs with infrequent changeovers.



B30 with continuous feeder, folding unit II and III and A76 delivery.

Increased performance through double stream production

Production in a double stream integrates the cutting of the printed sheets into the folding process. The sheets are folded and separated in the first folding unit and then further processed in two streams in the subsequent folding units. Two folded products are produced per sheet, thus doubling the capacity of the folding machine. On the bottom line, double stream production brings greater output, higher efficiency and cost savings.



Schematic diagram of a double stream production.



Features

Machine control

Standard feature:

- M1 Basic machine control with touchscreen

Additional features:

- RAS Remote Access Software
 - Datamanager 4.0 with limited functionality (only available in conjunction with RAS Remote Access Software)
-

Feeder

Standard features:

- Continuous feeder with conveyor belts
- Sheet infeed and sheet alignment with suction wheel and ball rail

Alternative features:

- Pile feeder with feeder head Vacustar
 - Palletized feeder with feeder head Vacujet
 - FLS feeder loading system in the pile feeder respectively in the palletized feeder
 - Vivas (Vacubelt and Vacutable)
-

Folding unit I

Standard features:

- 4 buckle plates
- 1st buckle plate with swing deflector and continuous sheet stop
- 2nd-4th buckle plate with swing deflector
- Spiral fold rollers with hard PU
- Single rear slitter shafts
- Perforating-, scoring- and cutting devices for standard jobs
- Maintenance and noise-free belt drive
- Two-part sound insulation unit

Alternative features:

- 6 buckle plates
- 2nd-4th (optionally up to 6th) buckle plate as combination buckle plates

Additional features:

- Gatefold plate
 - Various slitter shaft accessories, for example gully cut device, edge trim device, punch perforating device, multiple perforation device, etc.
 - Glue fold device
-

Folding unit II

Standard features:

- 4 buckle plates
- 1st buckle plate with swing deflector and continuous sheet stop
- 2nd-4th buckle plate with swing deflector
- Spiral fold rollers with hard PU
- Single rear slitter shafts
- Perforating-, scoring- and cutting devices for standard jobs
- Maintenance and noise-free belt drive
- Two-part sound insulation unit

Alternative features:

- 6 buckle plates
- 2nd-4th (optionally up to 6th) buckle plate as combination buckle plates

Additional features:

- Double stream device
- Various slitter shaft accessories, for example gully cut device, edge trim device, punch perforating device, multiple perforation device, etc.

Folding unit III

Standard features:

- 4 buckle plates
- 1st-4th buckle plate with swing deflector
- Spiral fold rollers with hard PU
- Single rear slitter shafts
- Perforating-, scoring- and cutting devices for standard jobs
- Maintenance and noise-free belt drive
- Two-part sound insulation unit

Alternative feature:

- 1st-4th buckle plate as combination buckle plates

Additional features:

- Double stream device
- Various slitter shaft accessories, for example gully cut device, edge trim device, punch perforating device, multiple perforation device, etc.



M1 Basic machine control

Standard feature

The first folding unit of the B30 with M1 Basic machine control is equipped with a touchscreen. In addition, the first folding unit is equipped with sheet monitoring by means of optical sensors. A router for the RAS Remote Access Software is optionally available. This is a prerequisite for the Datamanager 4.0, which is also optional.



Vivas (Vacubelt and Vacutable)

Alternative feature

Vivas ensures reliable flat sheet infeed and optimum sheet run with high throughput capacity. The Vivas vacuum system replaces the standard suction wheel and the ball rails. Vivas also guarantees no marks, even with delicate and freshly printed products. The vacuum of the suction belt can be adjusted infinitely for the corresponding paper quality during ongoing production.



Maintenance and noise-free belt drive

Standard feature

The proven MBO belt drive guarantees extremely quiet operation and long maintenance-free periods. Thanks to the auto-tensioning elements, controlling and readjusting is no longer necessary. The functionality is monitored by the machine control. Low follow-up and operational costs make the MBO belt drive an especially efficient long-term solution.



Gatefold plate

Additional feature in folding unit I

Gatefold plates are required to produce closed gatefolds or altar folds. The gatefold plate is connected via the M1 machine control. The latest generation gatefold plates do not require additional photocells.

B30 in comparison

In addition to the B30, the MBO range includes the T800.1 buckle fold machine for the B1/70x100 cm format range.

T800.1

With high output at excellent quality, the T800.1 offers ideal prerequisites for maximising productivity. A wide range of folding types and individualised automation

options ensure smooth production for medium and high print runs and frequently changing folding types.

		B30	T800.1
Feeder	Pile feeder	✓	–
	Palletized feeder	✓	✓
	Continuous feeder	✓	✓
Folding unit I	Slitter shaft cassette	–	✓
Folding unit II	Slitter shaft cassette	–	✓
	Double stream device	✓	✓
Folding unit III	Double stream device	✓	✓
	Sheet return device RFE	–	✓
Optional automation		–	✓
Production speed		205 m/min (670 fpm)	230 m/min (755 fpm)



Automated T800.1 with continuous feeder, folding unit II and III and sheet return device RFE in folding unit III.



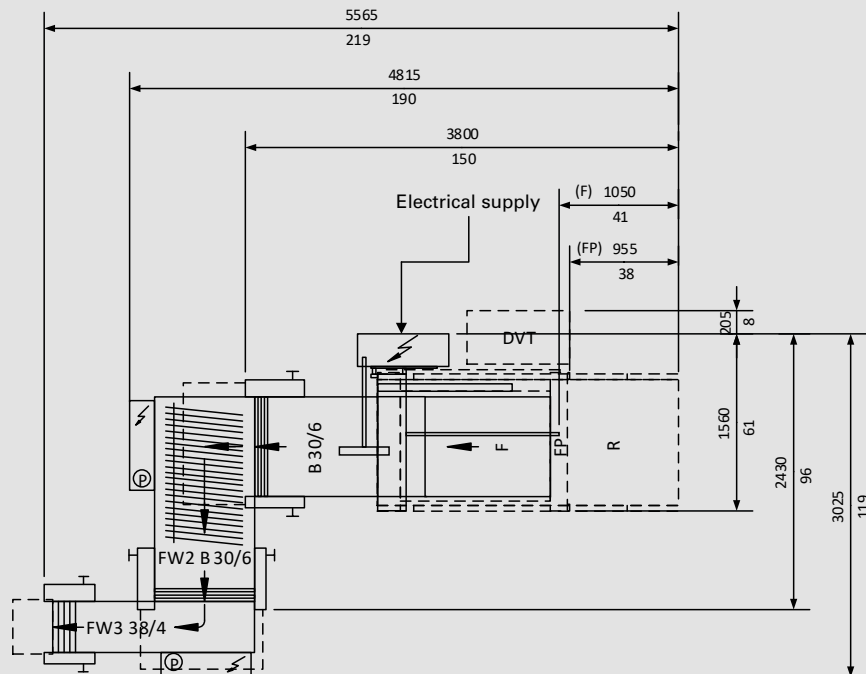
The two-part sound insulation unit is a standard feature in all folding units, both in the B30 and the T800.1. It not only ensures optimal sound insulation, but also good accessibility to the buckle plates and fold rollers as well.

Technical specifications

		B30 – F (Pile feeder)		B30 – FP (Palletized feeder)		B30 – R (Continuous feeder)		Folding unit II 76		Folding unit III 38	
		mm	inch	mm	inch	mm	inch	mm	inch	mm	inch
Pile height	max.	650	25 5/8	950	37 3/8	80	3 1/8	–	–	–	–
	min.	150	6	170	8	150	6	100	4	100	4
Infeed width	max.	760	29 7/8	760	29 7/8	760	29 7/8	760	29 7/8	380	15
	min.	200 (170 ¹)	8 (6 3/4 ¹)	250 (170 ¹)	9 7/8 (6 3/4 ¹)	180	7	–	–	–	–
Infeed length	max.	1,200	47 1/4	1,200	47 1/4	1,080 (2,000)	42 (78)	–	–	–	–
	min.	60	2 3/8	60	2 3/8	60	2 3/8	60	2 3/8	60	2 3/8
Number of buckle plates		4 or 6		4 or 6		4 or 6		4 or 6		4	
Fold roller diameter		43.7	1 3/4	43.7	1 3/4	43.7	1 3/4	43.7	1 3/4	43.7	1 3/4
Slitter shaft diameter		35.0	1 3/8	35.0	1 3/8	35.0	1 3/8	35.0	1 3/8	35.0	1 3/8
Product thickness at exit (thicker on request)	max.	1.8	1/16	1.8	1/16	1.8	1/16	2.0	1/16	2.0	1/16
Speed	min.	30 m/min (98 fpm)									
	max.	205 m/min (670 fpm)									
Electrical supply	M1 Basic (3 x 400V 50/60Hz 3 x 220V 50/60Hz)	6.6 kVA max. 63 A		8.1 kVA max. 63 A		7.6 kVA max. 63 A		2.4 kVA max. 32 A		1.6 kVA max. 32 A	

¹ With small format device

Floorplan B30 with folding unit II and III



Measurements in $\frac{\text{mm}}{\text{inch}}$

Your contact person:

MBO Postpress Solutions GmbH
 Grabenstrasse 4-6 ■ 71570 Oppenweiler ■ Germany
 Phone +49 (0) 7191/46-0 ■ info@mbo-pps.com
www.mbo-pps.com

This brochure is subject to change without notice.
 Technical specifications vary depending upon paper quality.